

NightSpire™

Adjustable Spot and Flood LED Light with Wireless Controller



FEATURES

- Adjustable spot to flood capability
- 360° of continuous rotation
- 130° of vertical tilt
- Multi-select synchronization — Sync up to three lights with one controller
- IP69K — Maximum protection from dust and water
- Designed to operate in -40° to +176 F (-40° to +80°C) environments
- Wireless controller; Back-lit controller buttons when activated
- 3,100 raw lumen output
- Permanent and magnet mount bases available
- 12 Vdc
- Five-year warranty

NightSpire™ is a spot and flood LED light built-in one. Engineered with a digitally controlled lens, the NightSpire adjusts from 50-degrees of floodlight to a pinpoint spot light at 4-degrees. This technology not only allows for light versatility, but also decreases the maintenance due to a lack of moving parts within the lens. In addition, the NightSpire offers 360-degrees of continuous rotation which also includes 130-degrees of vertical tilt.

The NightSpire follows the mounting footprint of Federal Signal's flagship beacon – the Spire® 100 and 200. This allows for an easy vehicle upgrade without the additional up-fit process. Like the Spire, the NightSpire comes in a permanent and magnet mount base. In addition, the NightSpire is rated IP69K for maximum protection against dust and water which includes pressure wash resistance.

The NightSpire spot and flood light includes a full-featured wireless controller. Features include an easy to grip design, back-lit buttons when activated, and a low maintenance standard AAA battery compatibility. The wireless controller allows for multi-select synchronization, syncing up to three lights with one controller. Lastly, the NightSpire has two memory control functions which allow users to automatically move the spotlight to programmed locations.

APPROVALS

- IP69K



Spot Light
4-degrees for 'pin-point' lighting



Flood Light
50-degrees to illuminate a scene

HOW TO ORDER

SPECIFY AMPLIFIER/CONTROLLER

NS200-M	Magnet Mount, Cigarette Plug
NS200-P	Permanent/1-inch Pipe Mount
NSCTRL-1	Wireless Controller

ACCESSORY

200NS-TALL	Branch Guard
------------	--------------



SPECIFICATIONS

LED Color W Dome Color C

AMP DRAW	3.25 A Peak
OPERATING VOLTAGE	12 Vdc
OPERATING TEMP.	-40° to +176°F (-40° to +80°C)
LIGHT TECHNOLOGY	LED

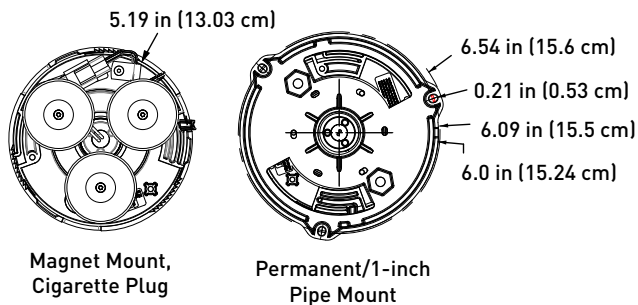
PHYSICAL SPECIFICATIONS LIGHT HEAD

	PERMANENT/1-INCH PIPE MOUNT	MAGNET MOUNT, CIGARETTE PLUG	WIRELESS CONTROLLER*
DIAMETER	6.0 in (15.24 cm)	5.19 in (13.03 cm)	N/A
HEIGHT	7.10 in (18.03 cm)	6.94 in (17.62 cm)	5.09 in (4.5 cm)
LENGTH	N/A	N/A	1.80 in (4.5 cm)
WIDTH	N/A	N/A	1.12 in (2.85 cm)

SHIP WEIGHT

3.5 lb (1.6 kg)

*Wireless controller and [2] AAA batteries included



NightSpire and Spire are trademarks of Federal Signal Corporation.